



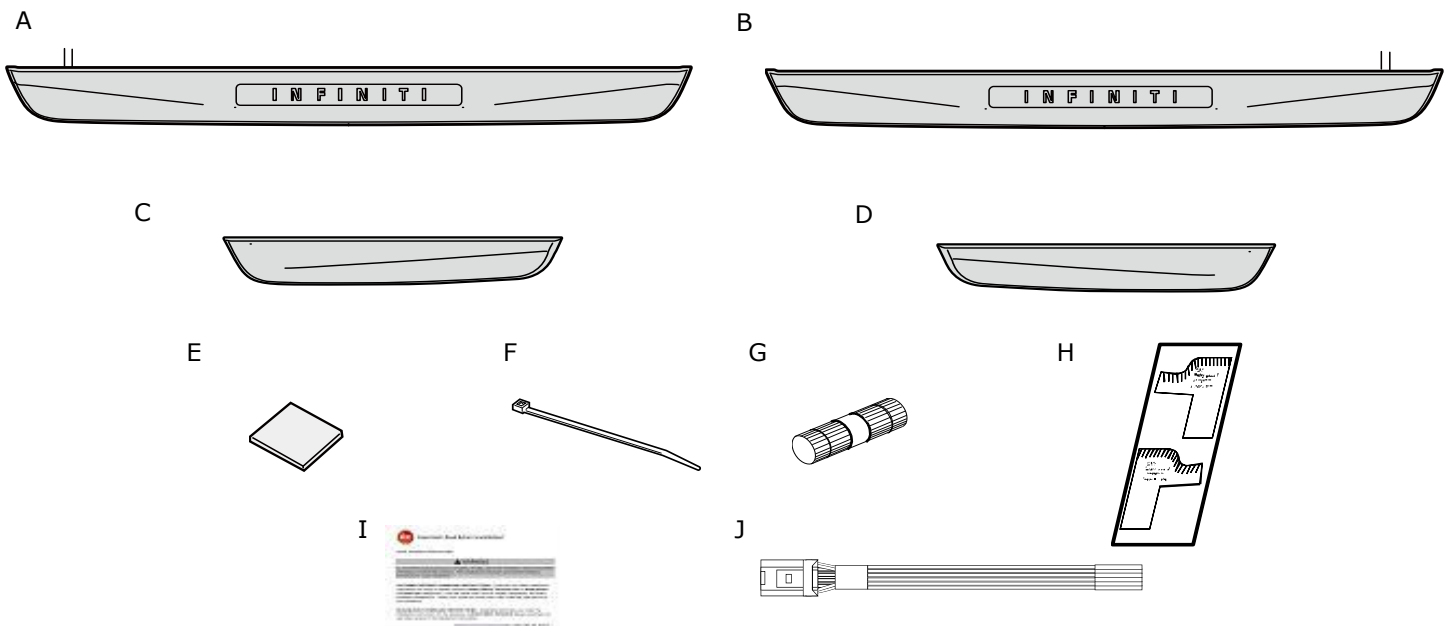
## GENUINE PARTS

### INSTALLATION INSTRUCTIONS

<b>DESCRIPTION:</b>	Illuminated Entry Guards
<b>APPLICATION:</b>	INFINITI QX30
<b>PART NUMBER:</b>	KE967-5D406 - Illuminated Entry Guards

#### KIT CONTENTS:

Item	Qty.	Part Description	
A	1	Illuminated Entry Guard, FR LH	
B	1	Illuminated Entry Guard, FR RH	
C	1	Entry Guard, RR LH	
D	1	Entry Guard, RR RH	
E	8	Urethane foam tape	
F	6	Tie Wrap	
G	4	Posi-tap	
H	1	Template	
I	1	Internet Website Address paper, 999V2 AW000	
<b>ITEMS NOT IN KIT THAT MAY BE REQUIRED</b>			
J	2	Accessory Service Connector	999Q9 AY001



#### TOOLS REQUIRED:

- Nylon Trim Removal Tool
- Electrical Tape
- Scale
- Dryer
- Wire Cutter
- 50/50 Alcohol & Water Solution
- Scissors
- Adhesive remover
- Flash Light
- Soft Non-Linting Towel
- Masking Tape

**INSTALLATION PROCEDURE: PRE-INSTALLATION CAUTIONS / NOTES**

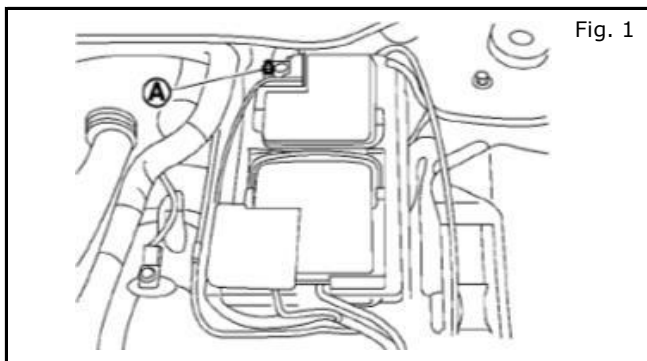
**⚠ CAUTION**

- Dealer Installation Recommended. Instructions refer to Service Manual.
- Please read this instruction carefully before installing this product for correct installation.
- Please DO NOT use or install the part in ways other than what is described in this instruction manual.
- If problem occurs during installation, please contact Nissan dealer where you purchased the product.

- 1) Apply parking brake.
- 2) Make sure the shift lever is engaged in "P" or "N".
- 3) Record the customer radio presets and other presets as required.

Preset	1	2	3	4	5	6		

- 4) Use seat and floor protection.
- 5) Open the hood of the vehicle.
- 6) Loosen the nut A and disconnect the negative battery terminal.



**NOTE: Refer to the vehicle service manual for more details.**

- 7) This part is to be installed at a surface temperature of 65-100°F.
- 8) Do not wash the vehicle for 24 hours after installing to prevent the double-sided tape from peeling.

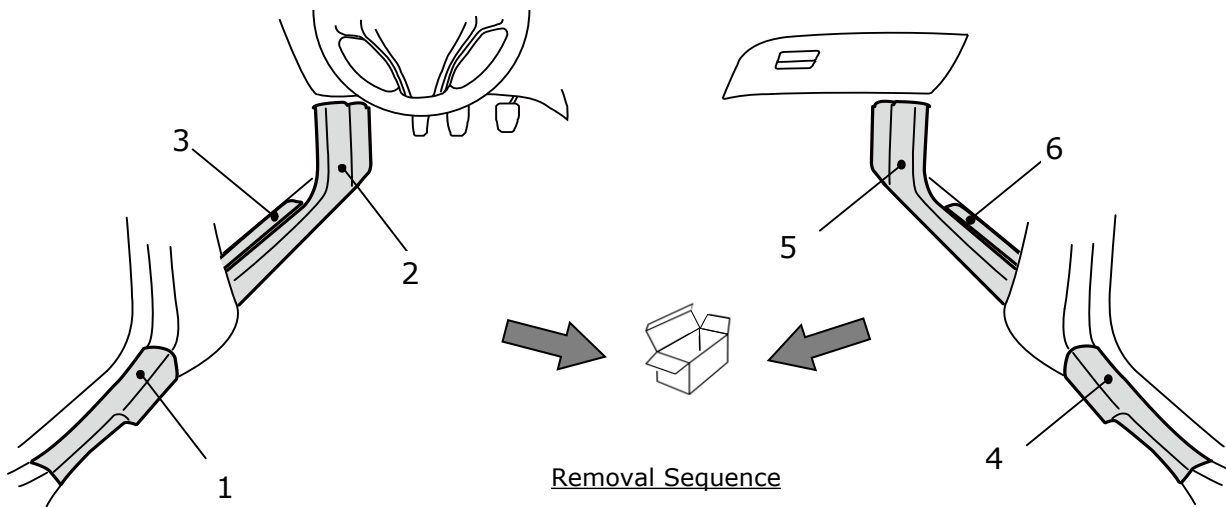
**INSTALLATION OVERVIEW:**

**⚠ CAUTION**

- Take care not to scratch or damage any component during the removal or re-installation process.
- Trim pieces found to have witness marks or broken clips are not to be reinstalled.

1) Remove the following vehicle parts in the sequence shown below. Store these re-usable parts in a safe and protected manner.

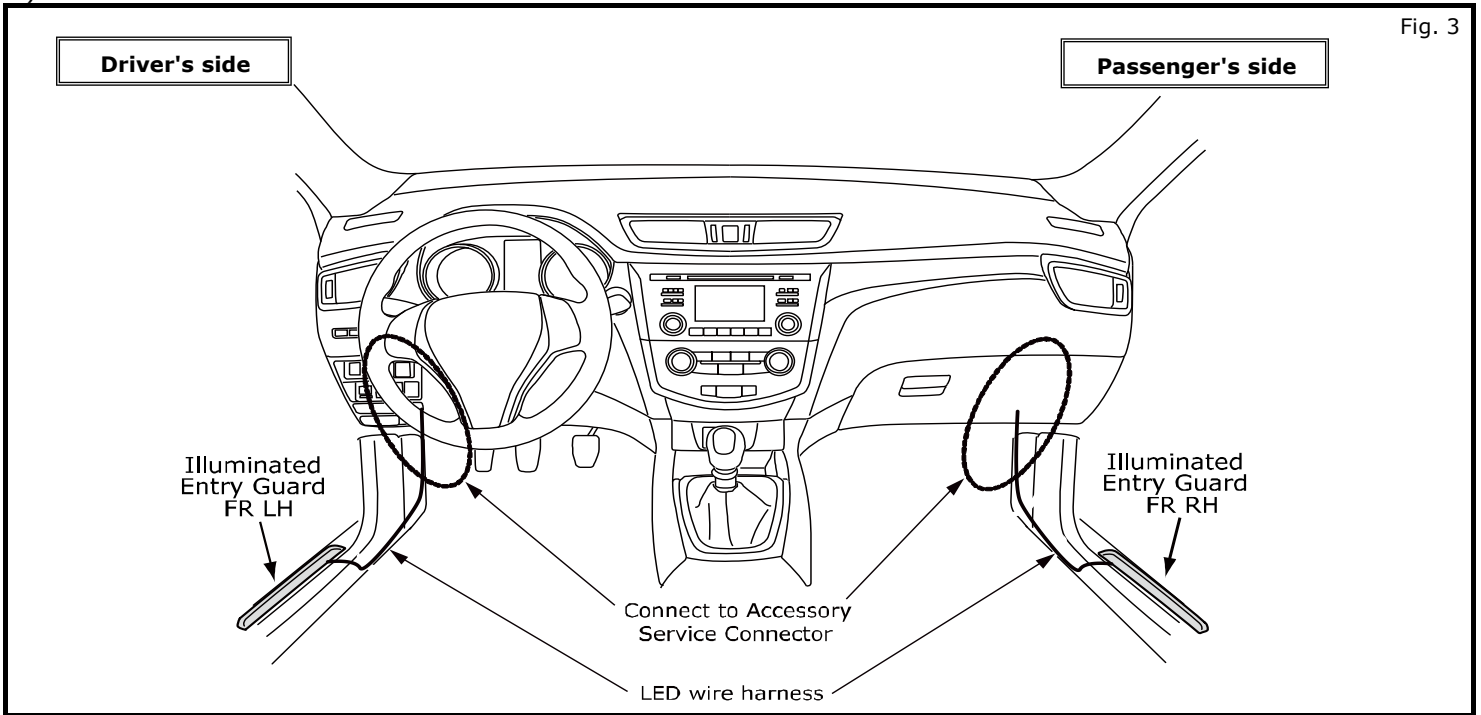
Fig. 2



- Removal Sequence
1. Inner Entry Guard RR LH
  2. Inner Entry Guard FR LH
  3. Outer Entry Guard FR LH
  4. Inner Entry Guard RR RH
  5. Inner Entry Guard FR RH
  6. Outer Entry Guard FR RH

**INSTALLATION OVERVIEW:**

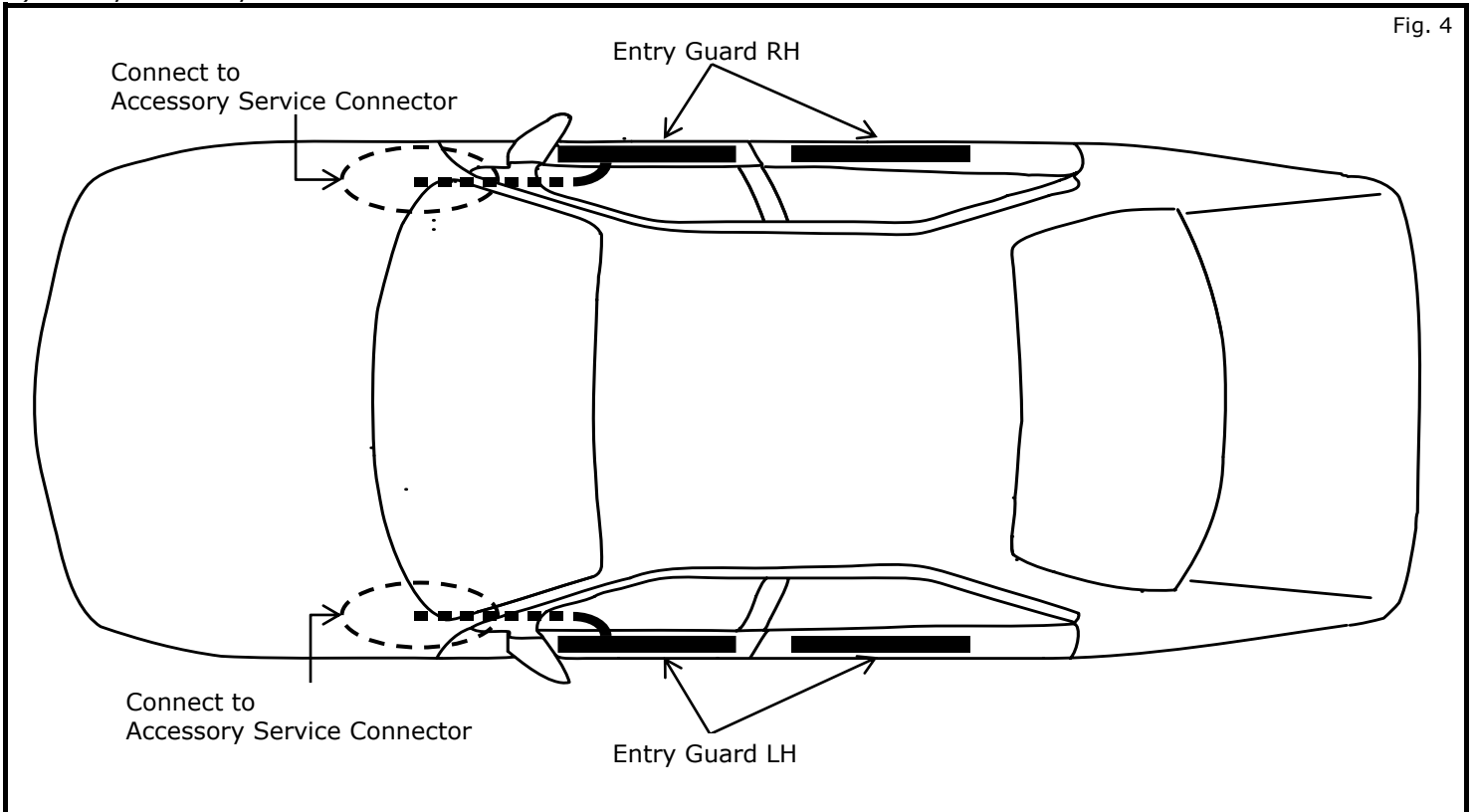
2) Installation Outline



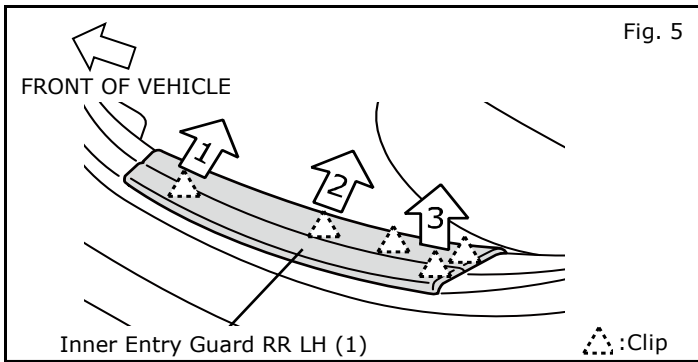
**CAUTION**

- Vehicle wiring color description is just for reference. Please refer to vehicle wiring diagram for details.

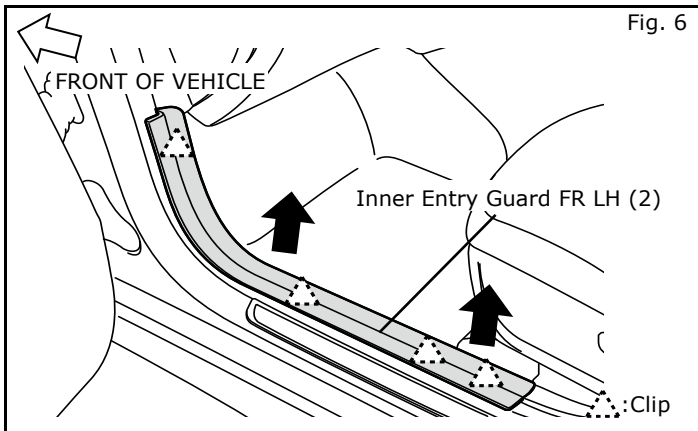
3) Entry Guard layout overview



**INSTALLATION PROCEDURE: VEHICLE PARTS REMOVAL**

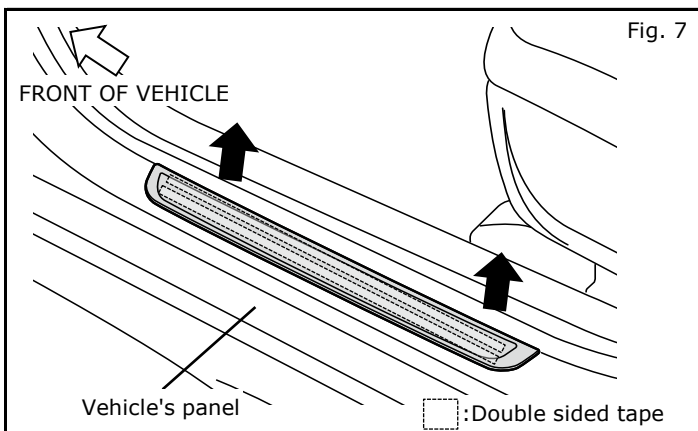


- 1) Inner Entry Guard RR LH (1) removal.
  - a) Remove Inner Entry Guard RR LH (1) by pulling straight up to disconnect clips in sequence from position 1 to position 3, as shown Fig. 5.



- 2) Inner Entry Guard FR LH (2) removal.
  - a) Remove Inner Entry Guard FR LH (2) to carefully pry off the trim panel along the bottom door seal from the seat to the footwell.

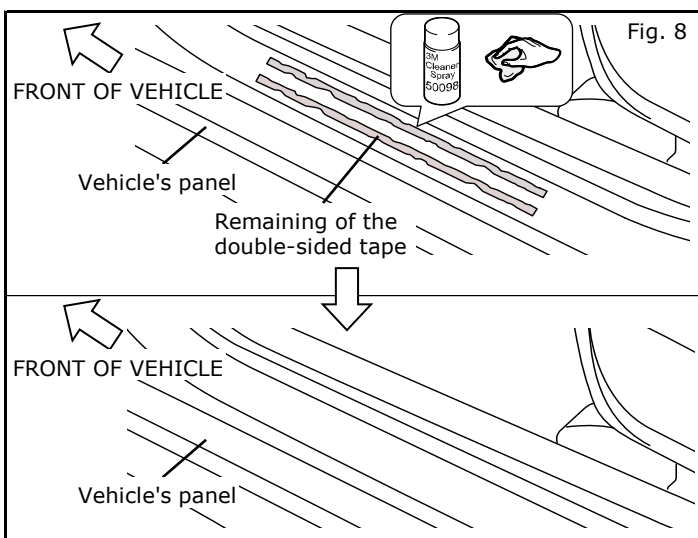
**NOTE:**  
**Begin prying panel at the rear and work forward for easiest removal.**



- 3) Outer Entry Guard FR LH (3) removal.
  - a) Remove Outer Entry Guard FR LH (3) straight up to peel off the double-sided tape as shown in Fig.7.

**CAUTION**

• Before removing Outer Entry Guard FR LH (3), Warm the vehicle's panel the near area of Outer Entry Guard FR LH (3) by dryer.

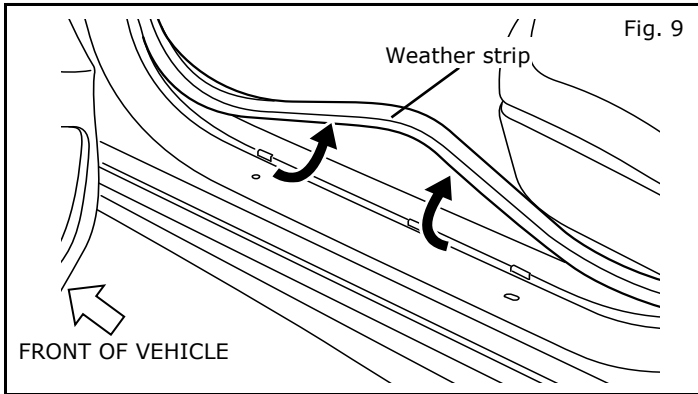


- 4) Remove the remaining of the double-sided tape using adhesive remover as shown in Fig.8.

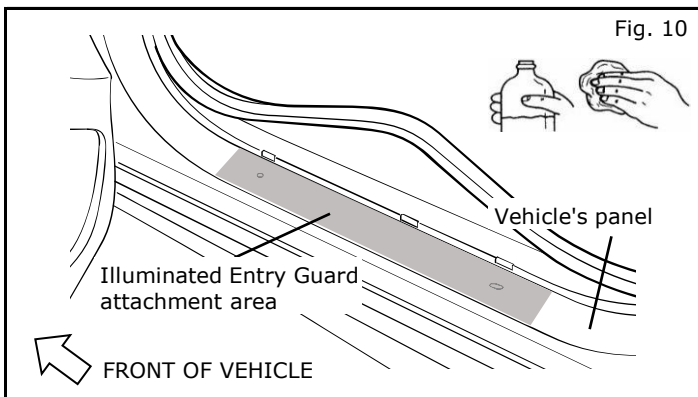
- 5) Repeat steps 1 - 4 for right side parts of vehicle.
  - Inner Entry Guard RR RH (4)
  - Inner Entry Guard FR RH (5)
  - Outer Entry Guard FR RH (6)

**INSTALLATION PROCEDURE: ILLUMINATED ENTRY GUARD INSTALLATION**

**NOTE: The procedure below shows the installation for LH side. Repeat procedure for RH side.**



6) Remove vehicle weather strip as shown in Fig.9.

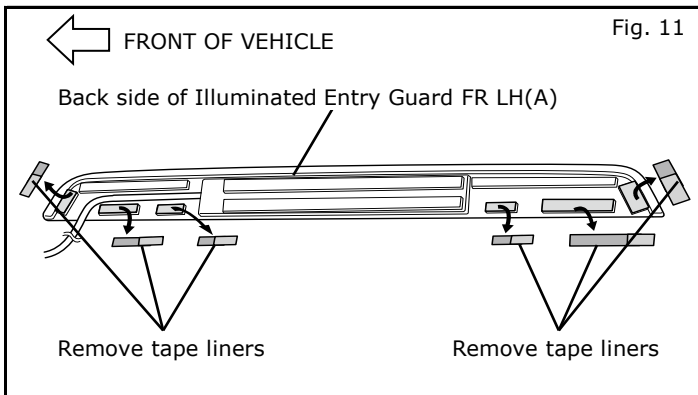


7) Clean Illuminated Entry Guard attachment area as shown in Fig.10 with 50/50 alcohol & water, let dry for 30 seconds.

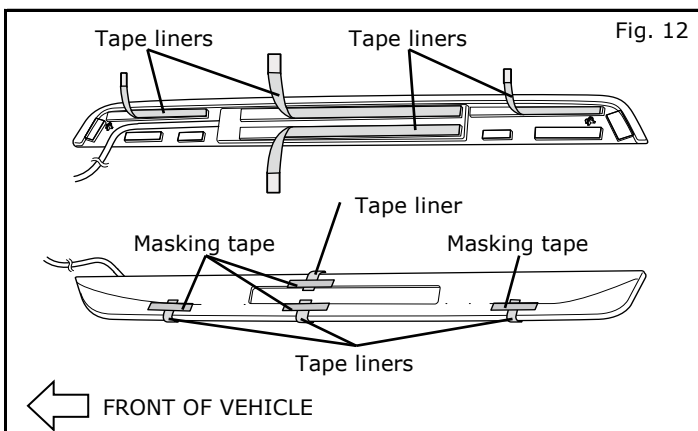


**CAUTION**

•If the double-sided tape is remaining, warm the vehicle's panel and remove the double-sided tape cleanly.



8) Remove tape liners of double-sided tape as shown in Fig. 11.

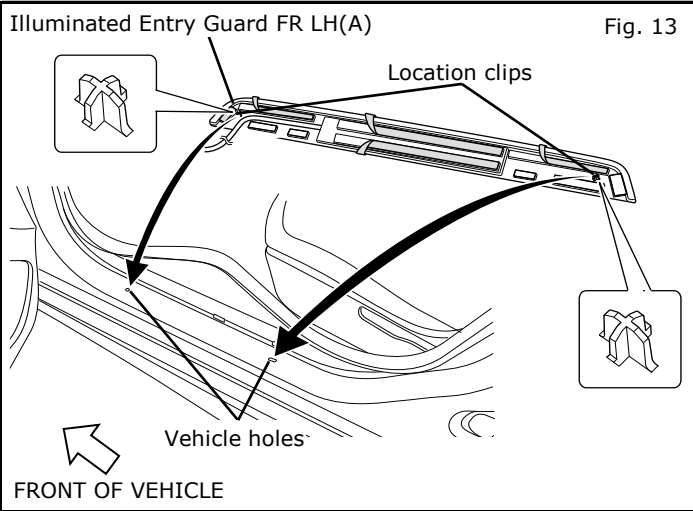


9) Pull double-sided tape liner to partially remove liner as shown in Fig.12.

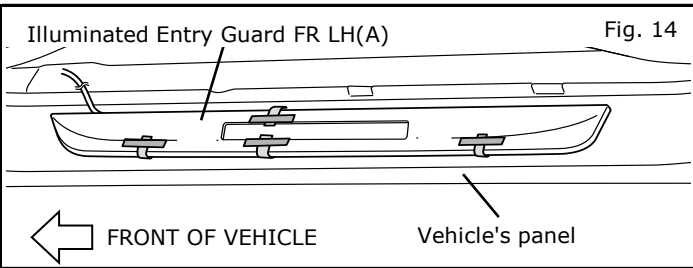
10) Using masking tape, hold tape's liner on front side surface of Illuminated Entry Guard FR LH (A) as shown in Fig.12.

**INSTALLATION PROCEDURE: ILLUMINATED ENTRY GUARD INSTALLATION**

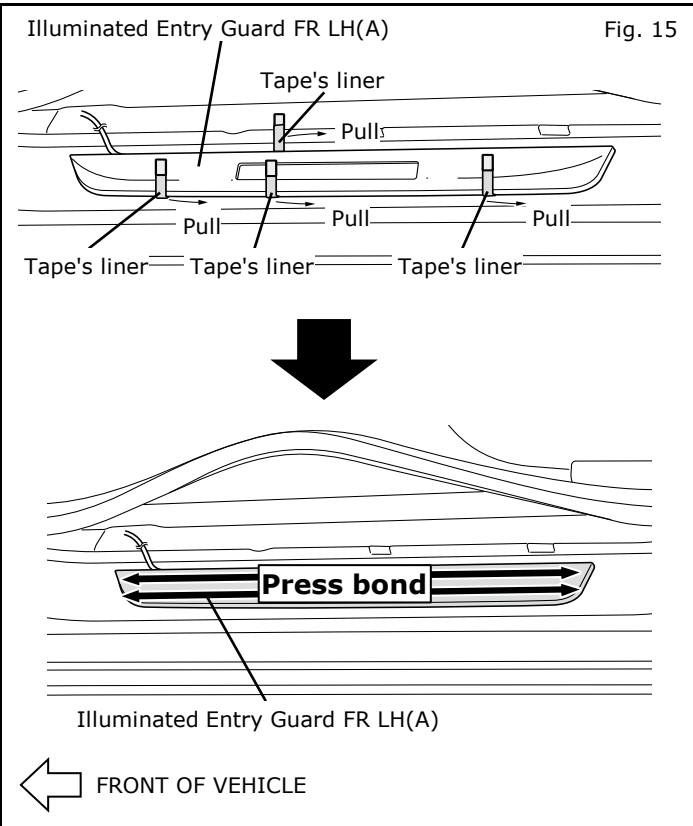
**NOTE: The procedure below shows the installation for LH side. Repeat procedure for RH side.**



11) Align location clips on integrated on backside of Illuminated Entry Guard FR LH (A) to Vehicle holes as shown in Fig.13.



12) Insert location clips and set Illuminated Entry Guard FR LH (A) on the vehicle's panel as shown in Fig.14.



13) Gradually pull and remove tape's liner starting from the front side, apply minimum 11lb (49N) of pressure for 30 seconds along the part to secure tape to body as shown in Fig.15.

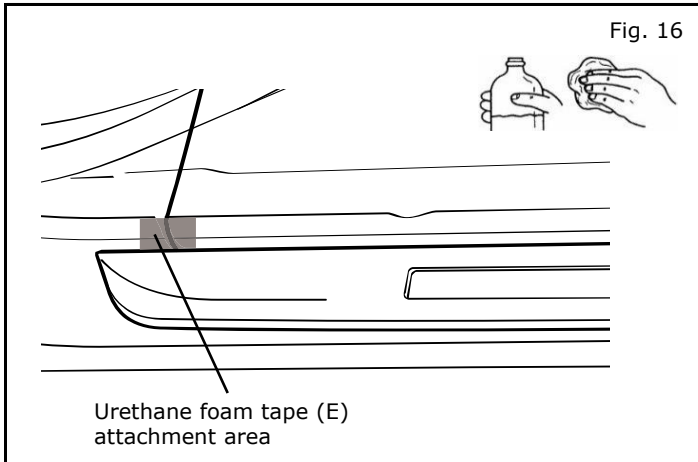


**CAUTION**

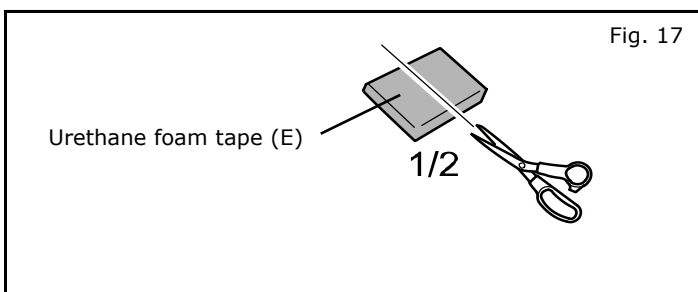
- Use caution when applying pressure as the surface may dent.
- During installation, be careful not to allow the harness to get stuck between the vehicle and the Illuminated Entry Guard.

**INSTALLATION PROCEDURE: ILLUMINATED ENTRY GUARD INSTALLATION**

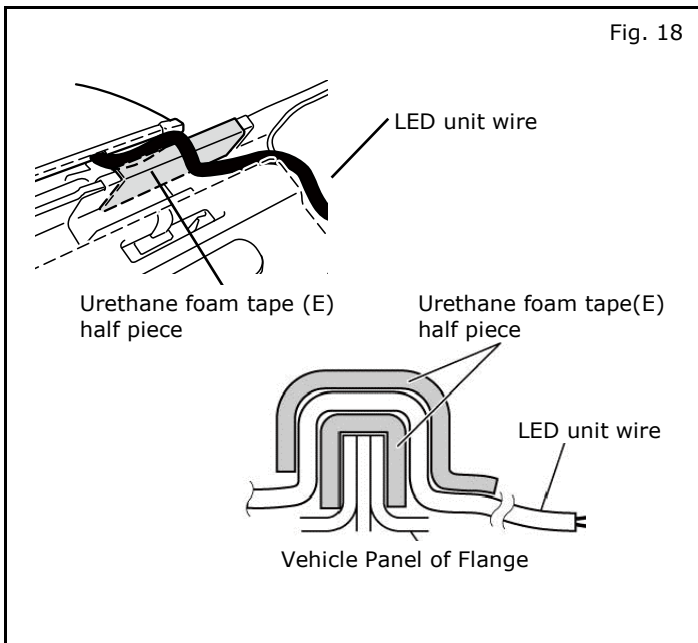
**NOTE: The procedure below shows the installation for LH side. Repeat procedure for RH side.**



- 14) Clean both sides of attachment area for Urethane foam tape (E) with 50/50 alcohol & water , let dry for 30 seconds as shown in Fig.16.



- 15) Fold one piece Urethane foam tape (E) and cut into two equal pieces as shown in Fig.17.



- 16) Paste a Urethane foam tape (E) half piece over flange, making sure that it will not be visible once weather strip is replaced.

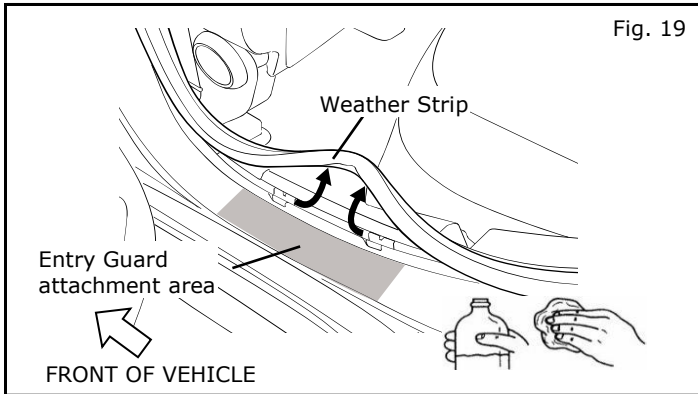
Then place LED unit wire on top of Urethane foam tape (E) half piece as shown in Fig.18.

Apply second Urethane foam tape (E) half piece on the top of the LED unit wire as shown in Fig.18.

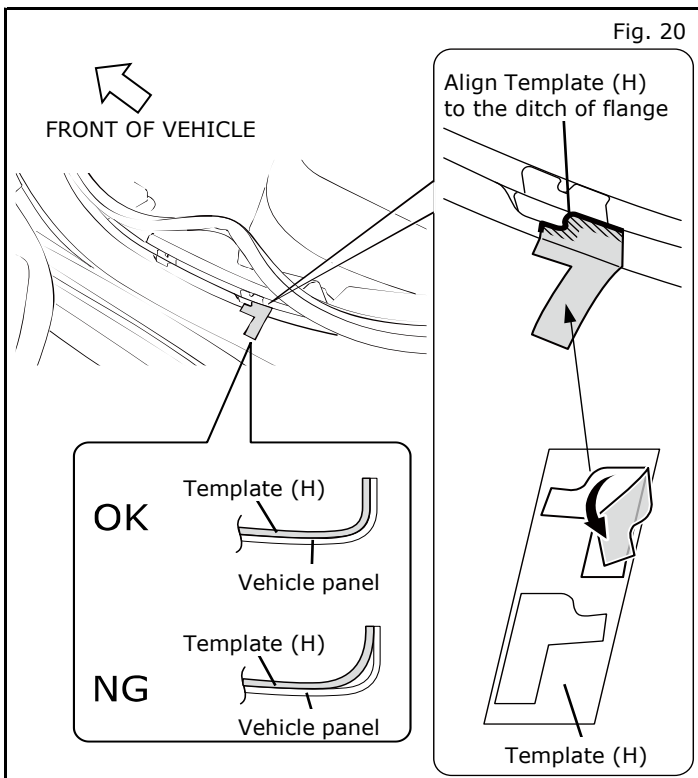


**INSTALLATION PROCEDURE: ILLUMINATED ENTRY GUARD INSTALLATION**

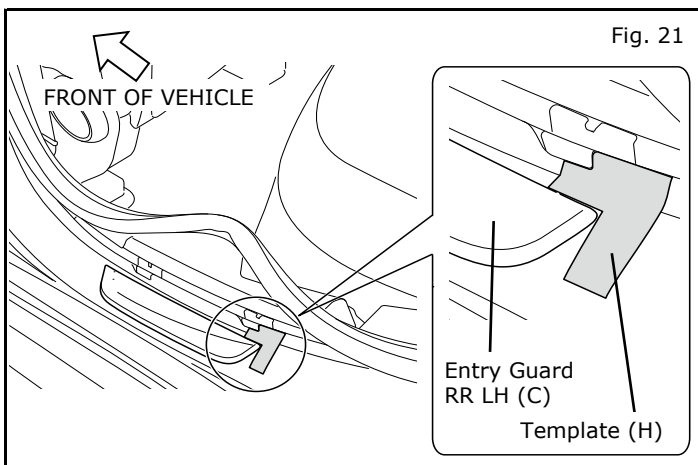
**NOTE: The procedure below shows the installation for LH side. Repeat procedure for RH side.**



17) Remove the vehicle weather strip as shown in Fig.19.



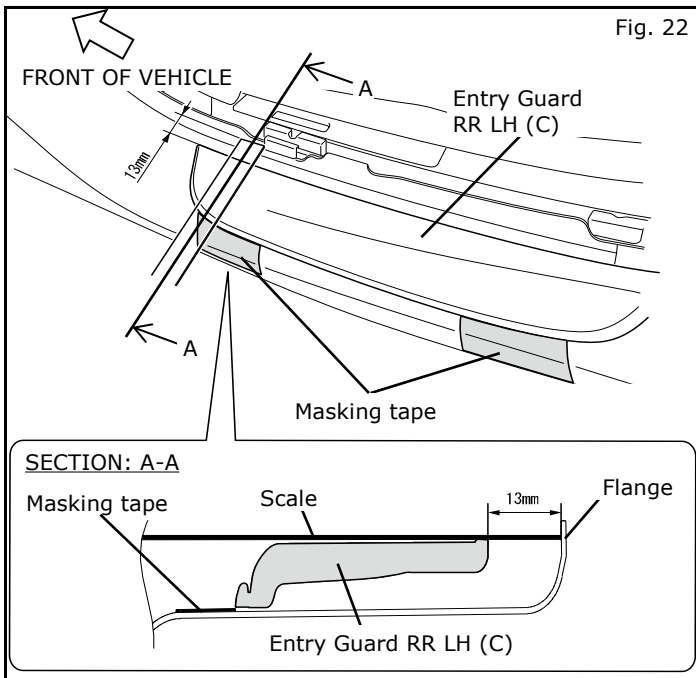
18) Peel off Template (H) and tape in place as shown in Fig.20.



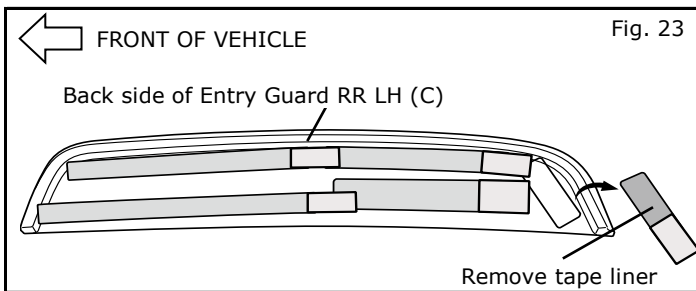
19) Align Entry Guard RR LH (C) to the Template (H) as shown in Fig.21.

**INSTALLATION PROCEDURE: ILLUMINATED ENTRY GUARD INSTALLATION**

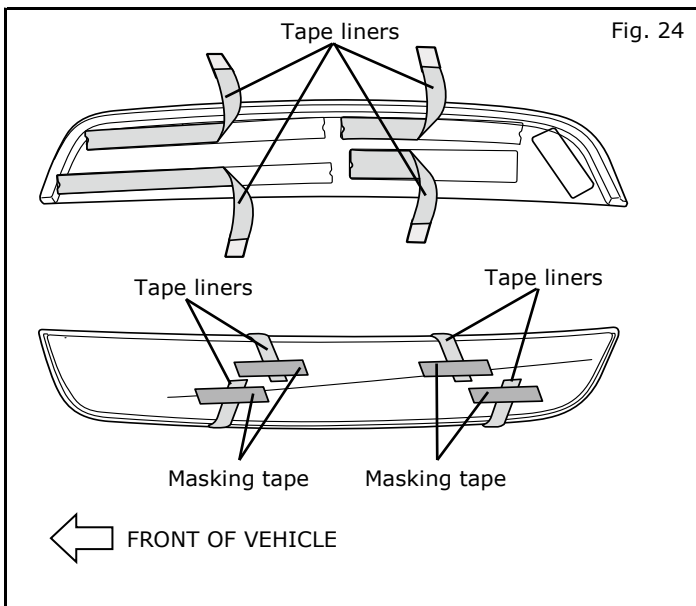
**NOTE: The procedure below shows the installation for LH side. Repeat procedure for RH side.**



20) Measure 13mm from sill flange and mark with masking tape as shown in Fig.22.



21) Remove tape liner of double-sided tape as shown in Fig. 23.

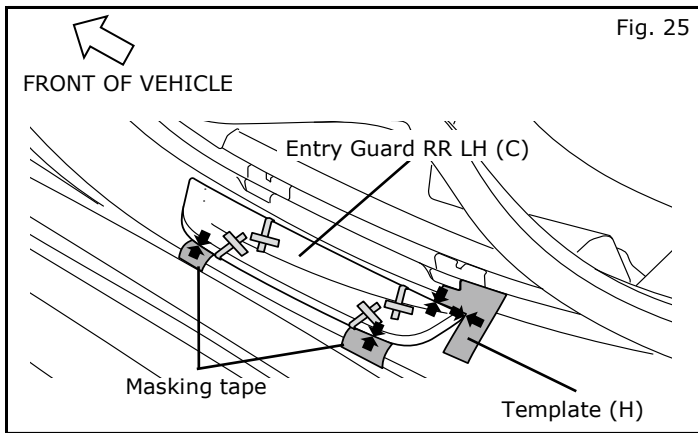


22) Pull double-sided tape liner to partially remove liner as shown in Fig.24.

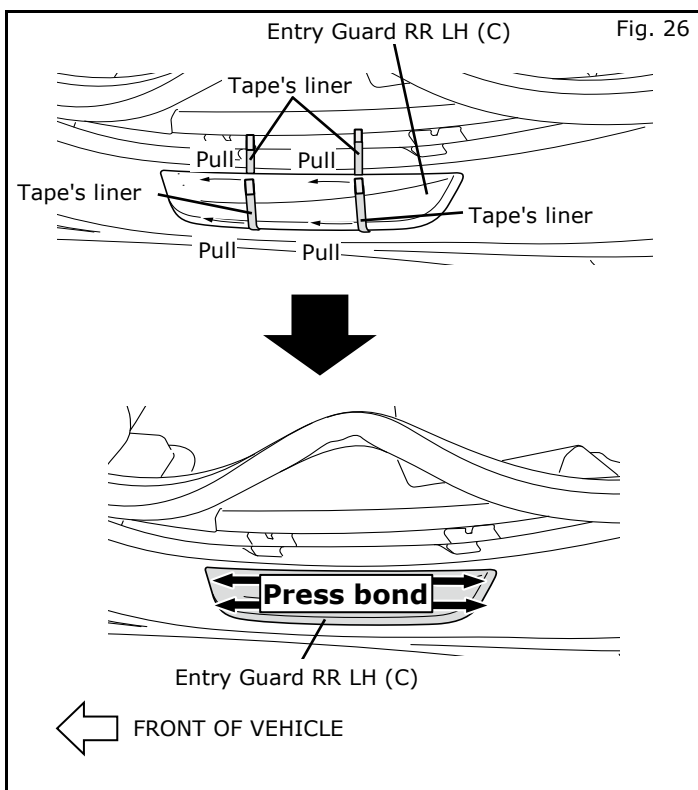
23) Using masking tape, hold tape's liner on front side surface of Entry Guard RR LH (C) as shown in Fig.24.

**INSTALLATION PROCEDURE: ILLUMINATED ENTRY GUARD INSTALLATION**

**NOTE: The procedure below shows the installation for LH side. Repeat procedure for RH side.**



24) Align Entry Guard RR LH (C) to the Template (H) and masking tapes as shown in Fig.25.



25) Gradually pull and remove tape's liner starting from the rear side, apply minimum 11lb (49N) of pressure for 30seconds along the part to secure tape to body as shown in Fig.26.



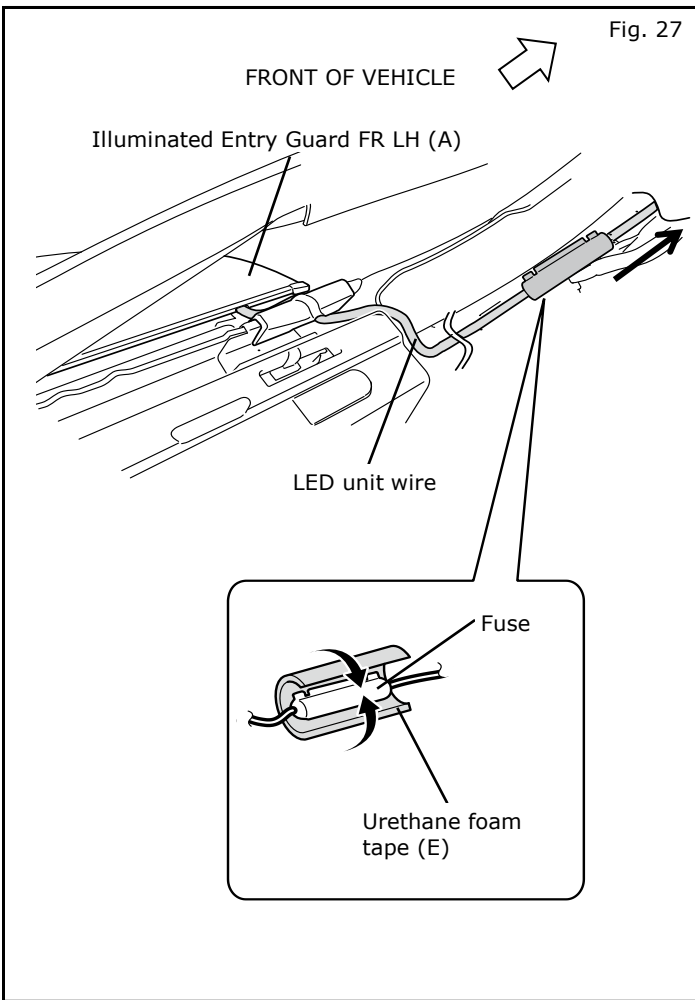
**CAUTION**

- Use caution when applying pressure as the surface may dent.

26) Remove Template (H) and masking tapes.

**INSTALLATION PROCEDURE: LED UNIT WIRE INSTALLATION**

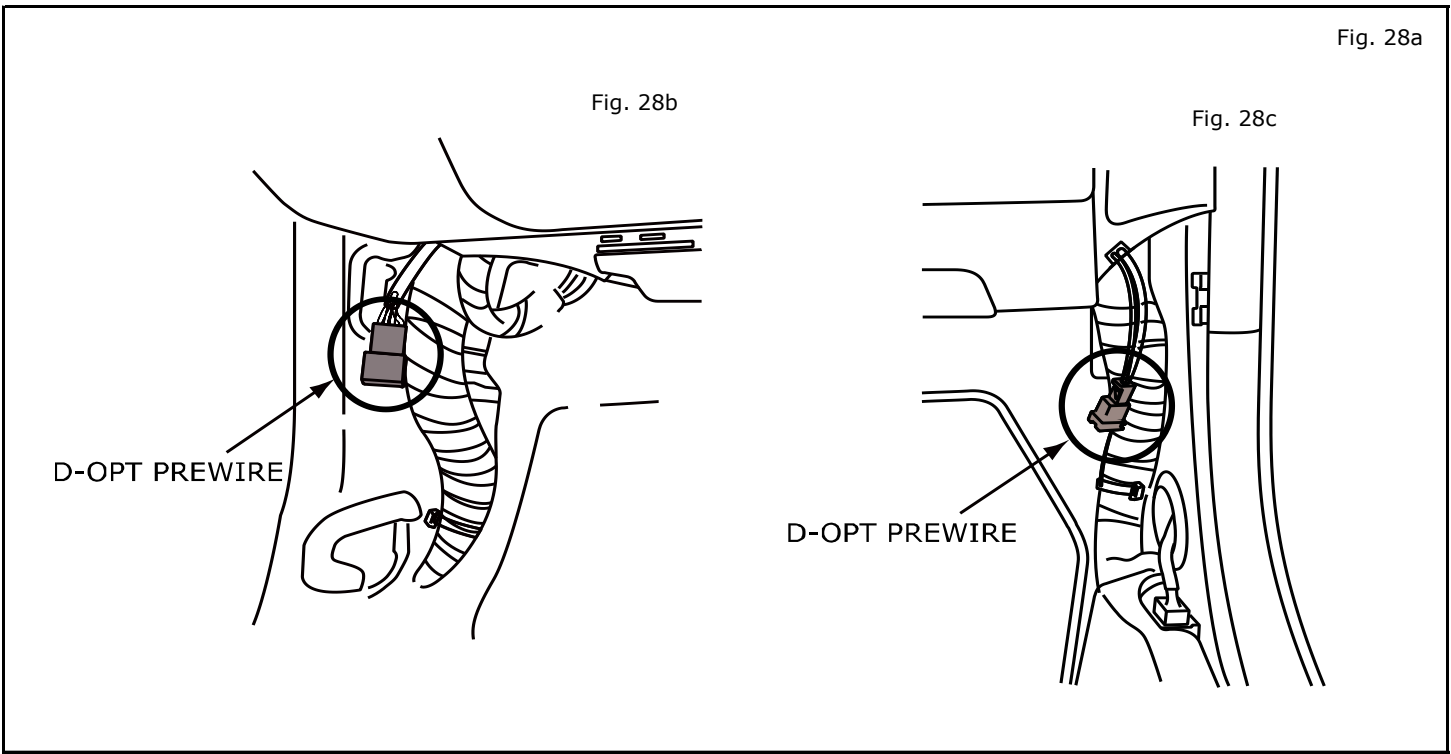
**NOTE: The procedure below shows the installation for LH side. Repeat procedure for RH side.**



27) Route the LED unit wire of Illuminated Entry Guard FR LH (A) to near the Accessory Service Connector as shown in Fig.27.

28) Wrap fuse of LED unit wire with Urethane foam tape (E) as shown in Fig.27.

29) As shown in Fig. 28a; LH D-OPT PREWIRE is taped to harness as shown in Fig. 28b.  
RH D-OPT PREWIRE is taped as shown in Fig. 28c.

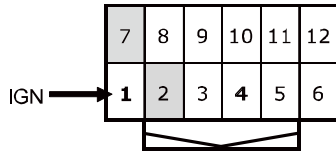


**INSTALLATION PROCEDURE: LED UNIT WIRE INSTALLATION**

**CAUTION**

This Accessory Service Connector is for use only with Genuine Nissan (or Infiniti) or Nissan (or Infiniti) approved accessories. Use of this connector with non Genuine Nissan (or Infiniti) or Nissan (or Infiniti) approved accessories or failure to follow the installation instructions for said connector being mentioned herein may result in damage to the accessory and/or your vehicle. Nissan (or Infiniti) is not liable for loss or damage due to improper installation or the installation of non Genuine or non approved accessories.

**Connecting position of ASC of Left side.**



**Connecting position of ASC of Right side.**

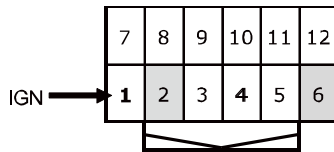
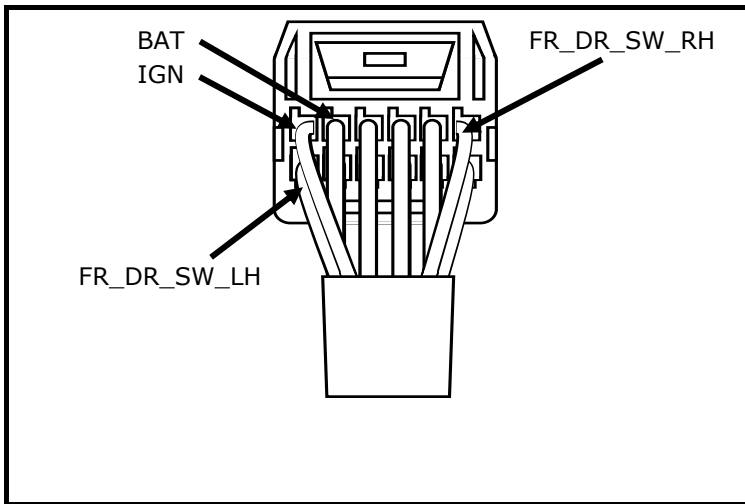


Fig. 29

Pin location is referenced looking into face of connector. Refer to Mechanical Drawing on page 21 and page 22 for wiring schematic.



999Q9 AY001		
Pin	Label	Color
1	IGN	WHITE
2	BAT	RED
3	TL_LMP	PURPLE
4	RM_LMP	YELLOW
5	BATSVR	PINK
6	FR_DR_SW_RH	GRN
7	FR_DR_SW_LH	LT GRN
8	THRU_SIGNAL_1	GREY
9	RR_DR_SW_RH	BLU
10	RR_DR_SW_LH	LT BLU
11	ACC	ORANGE
12	GND	BLACK

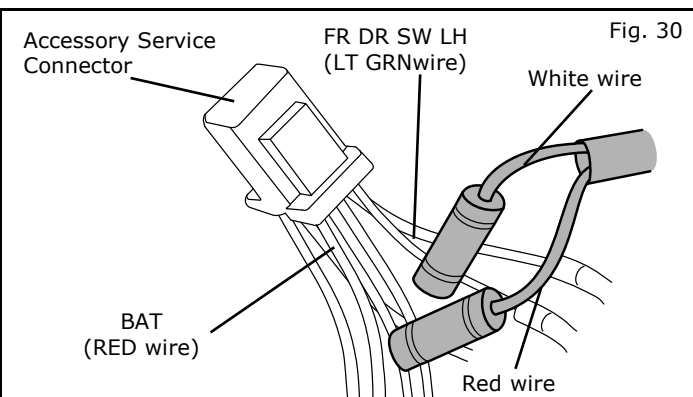


Fig. 30

- 30) Using a Posi-Tap (G), connect the white wire of LED unit wire to the "FR\_DR\_SW\_LH" (LT GRN wire) of the Accessory Service Connector as shown in Fig.30. (In the case of at right side installation, connect the white wire of LED wire to the "FR\_DR\_SW\_RH" (GRN wire) of the Accessory Service connector)

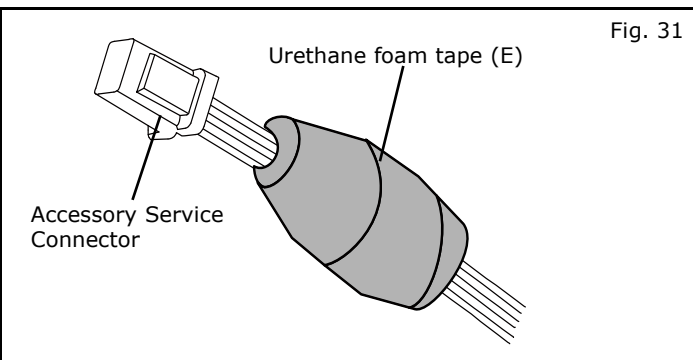


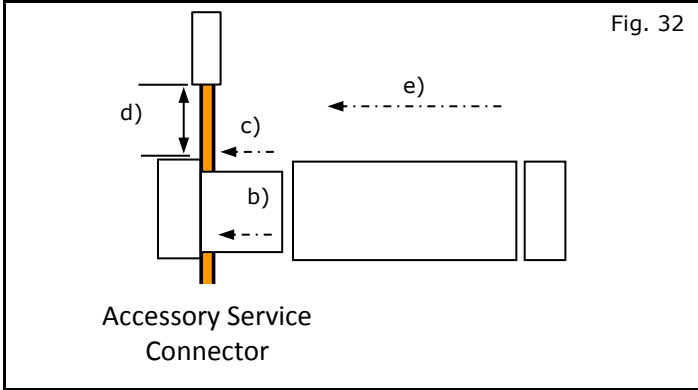
Fig. 31

- 31) Using a Posi-Tap (G), connect the red wire LED unit wire to the "BAT" (RED wire) of the Accessory Service Connector as shown in Fig. 30.

**Note: Please refer to the next page on how to use the poji-tap.**

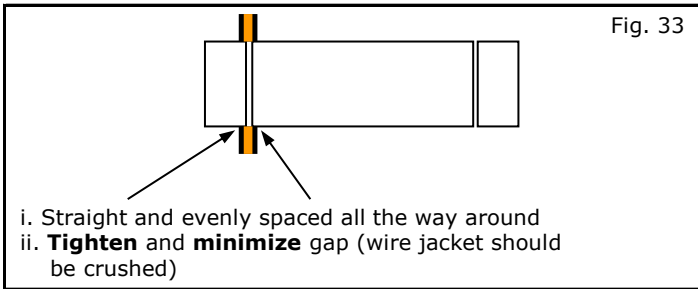
- 32) Wrap each Posi-Tap (G) with Electrical Tape to prevent rattle.
- 33) Bundle the wrapped posi-taps with Urethane foam tape (E) as shown in Fig 31.
- 34) Then plug the Accessory Service Connector into the D-OPT PREWIRE.

**POSI-TAP for the Accessory Service Connector ONLY.**



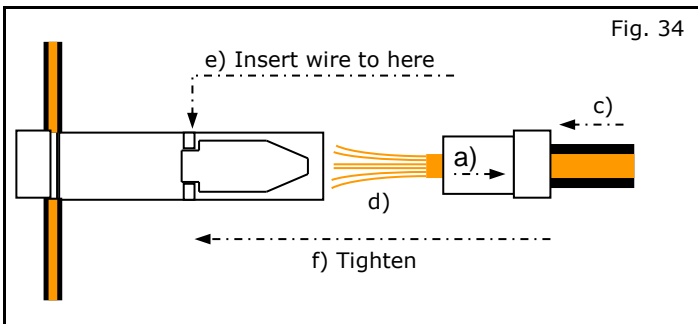
- 35) Tap Accessory service wire.
- Identify and confirm correct wire in the Accessory Service Connector to be tapped.
  - Remove cap (slot side) from tap body.
  - Slide cap around single accessory wire.
  - Position cap  $\geq 6.35\text{mm}(0.25\text{in})$  away from the heat shrink end of Accessory Service Connector. (Measurement for first posi-tap installed on the circuit.)
  - Tighten the tap **TIGHT** with finger pressure.
  - Tighten by another quarter turn.

**NOTE: Figures are not to scale.**

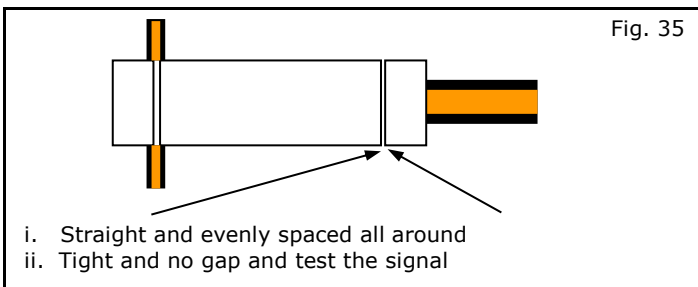


- 36) Inspect the tap to ensure correct installation.
- Pull on the wire lightly to ensure connection.
  - Inspect the tap to ensure correct installation.
  - Test the signal to ensure that it is working properly.

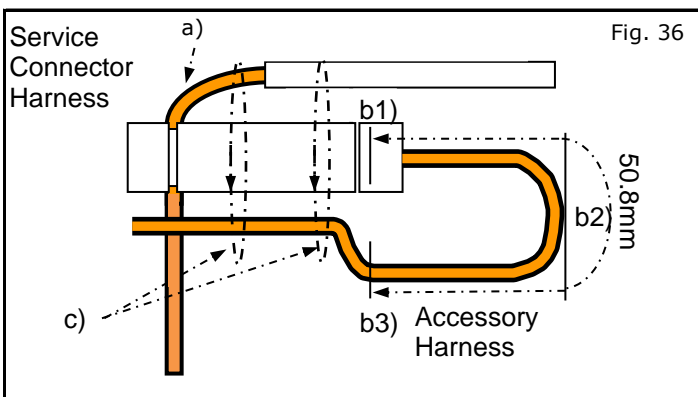
**NOTE: Avoid putting pressure on the vehicle wire and tap for the remainder of the installation.**



- 37) Tap accessory wire.
- Remove tap (non-pierce) side from tap.
  - Remove the protective stub from the wire.
  - Insert wire through the non-pierce side opening.
  - Spread the individual strands into fan shape.
  - Insert wire into the tap body and ensure that it is all the way in.
  - Tighten the tap **TIGHT** with finger pressure.
  - Tighten by another quarter turn.



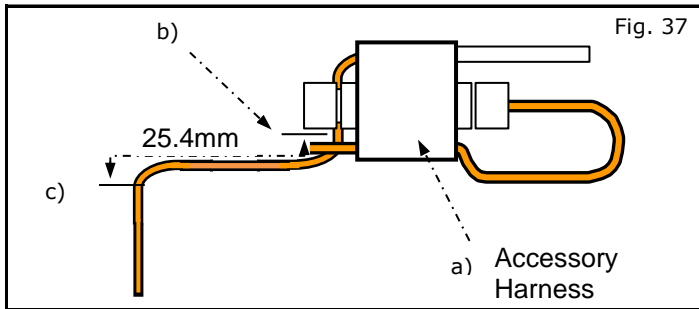
- 38) Confirm the tapped accessory wire.
- Pull on the wire lightly to ensure connection.
  - Inspect the tap to ensure correct installation.
  - Test the signal to ensure that it is working.



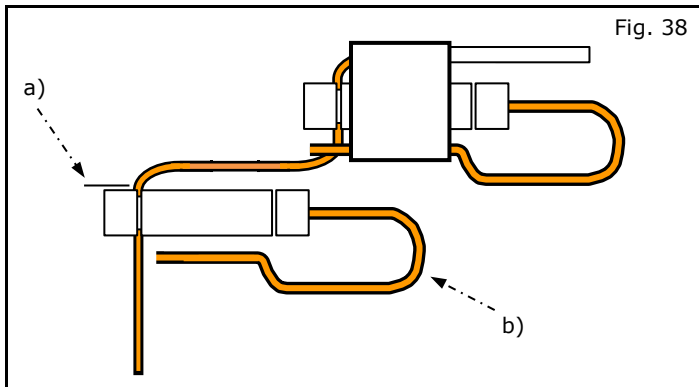
- 39) Forming strain relief loop (always required)
- Gently bend the end of the pierced wire (where it exits the cap) down towards body of Posi-tap.
  - On the tapped wire of the non-pierce side; starting at point b1), measure 50.8mm (2in) to point b3). Make the first bend of the loop b2), half the distance measured 25.1mm (1in), and up towards the body of the posi-tap, make the second bend of the loop b3) in towards the posi-tap so it can be secured with electrical tape.
  - Secure the pierced wire on the heat shrink side and the tapped wire on the non pierce side to the body of the tap with electrical tape ( $\geq 2$  revolutions).

**IF securing multiple posi-taps on a single circuit.**

**NOTE:** If securing multiple taps to single circuit continue to Step 6, if tapping different circuits repeat steps 1-5 as required, then proceed to step 10.

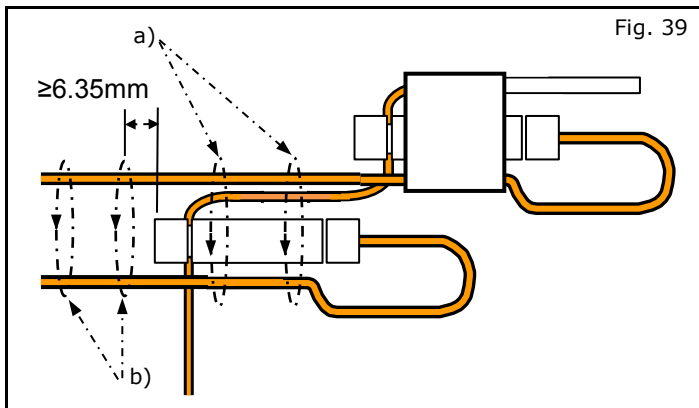


- 40) Multiple posi-taps on the same wire; first tap
- The first accessory is tapped, relieved and secured as shown in Fig 27 thru 31. (these steps are always the same)
  - Measure 25.4mm(1in) from point b) to point c) on the pierced wire.
  - At points b) & c), bend the pierced wire gently to form the "staircase" shape.



- 41) Multiple posi-taps; second accessory.
- Tap second accessory at point b), making sure to preserve "staircase shape".
  - After tapping second accessory, form a strain relief loop for the tapped wire on the non-pierce side as shown in Fig c) and detailed in step 5b.

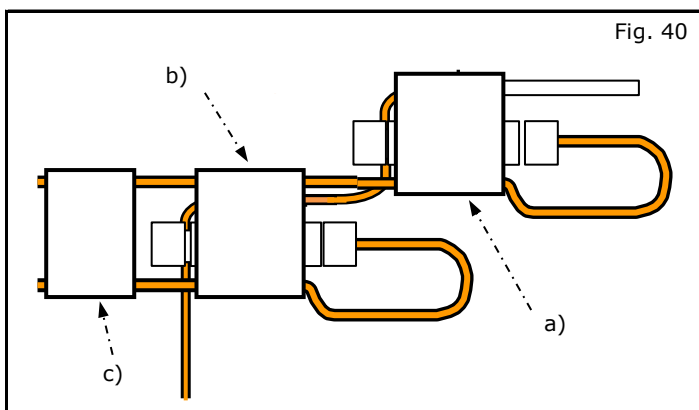
**NOTE: Do not secure before reading step 8. Repeat as necessary.**



- 42) Securing multiple posi-taps on the same circuit
- Secure the pierced and tapped wires from the first posi-tap, along with the tapped wire from the non pierce side of the 2nd posi-tap to the body of the 2nd tap with electrical tape ( $\geq 2$  revolutions).
  - Secure the tapped wires from the non-pierced sides of each tap to each other with electrical tape ( $\geq 2$  revolutions) at a distance of  $\geq 6.35\text{mm}$  (0.25in) from the head of last posi-tap shown in Fig b).

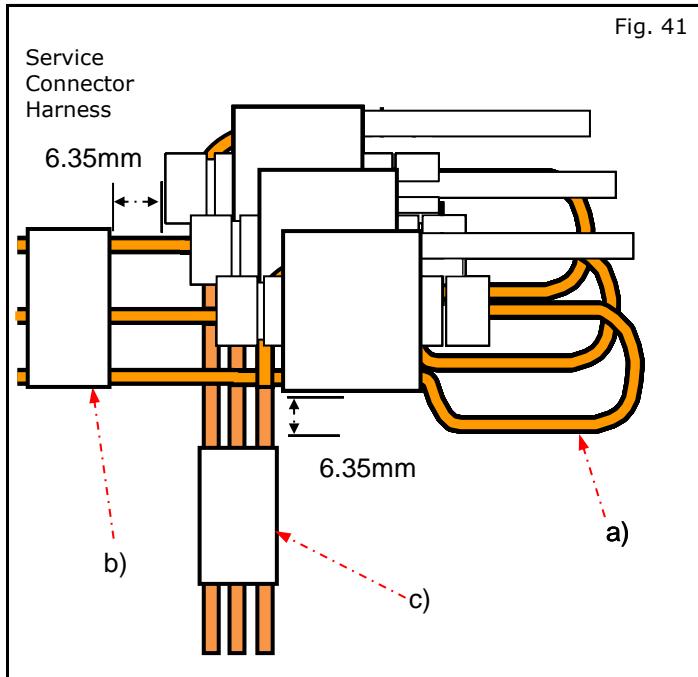
**NOTE: Repeat as required.**

**NOTE: No single wire should be posi-tapped more than 4 times to maintain integrity.**



- 43) Multiple accessory taps on the same circuit secured.
- The first accessory is tapped, relieved and has the pierced wire on the heat shrink side and the tapped wire on the non-pierce side secured to the first tap as shown in Fig a).
  - The second accessory is tapped, relieved and has the pierced wire, the tapped wire on the non-pierce side and the tapped wire from the non-pierce side of the first posi-tap secured to the second tap as shown in Fig b).
  - Finally the tapped wires on the non-pierce side of the first and subsequent posi-taps are secured to each other as shown in Fig c).

### Securing multiple tapped wires together.



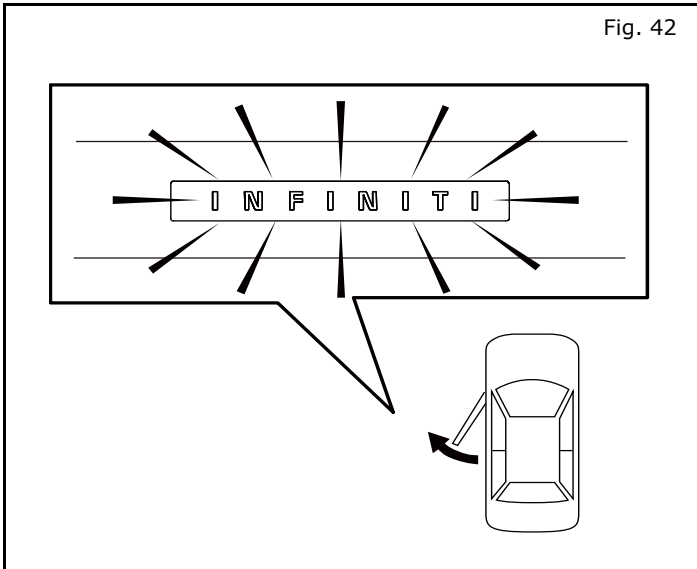
44) Multiple accessory taps on different circuits secured together.

- a) The tapped accessories (with wires already secured to tap bodies) are stacked slightly staggered on top of each other as shown in Fig a).
- b) The tapped wires on the non-pierce side of all the posi-taps are secured to each other with electrical tape ( $\geq 2$  revolutions) at a distance of  $\geq 6.35\text{mm}$  (0.25in) as shown in Fig b).
- c) The pierced wires of the first and subsequent posi-taps are secured to each other with electrical tape ( $\geq 2$  revolutions) at a distance of  $\geq 6.35\text{mm}$  (0.25in) as shown in Fig c).



**INSTALLATION PROCEDURE: LED UNIT WIRE INSTALLATION**

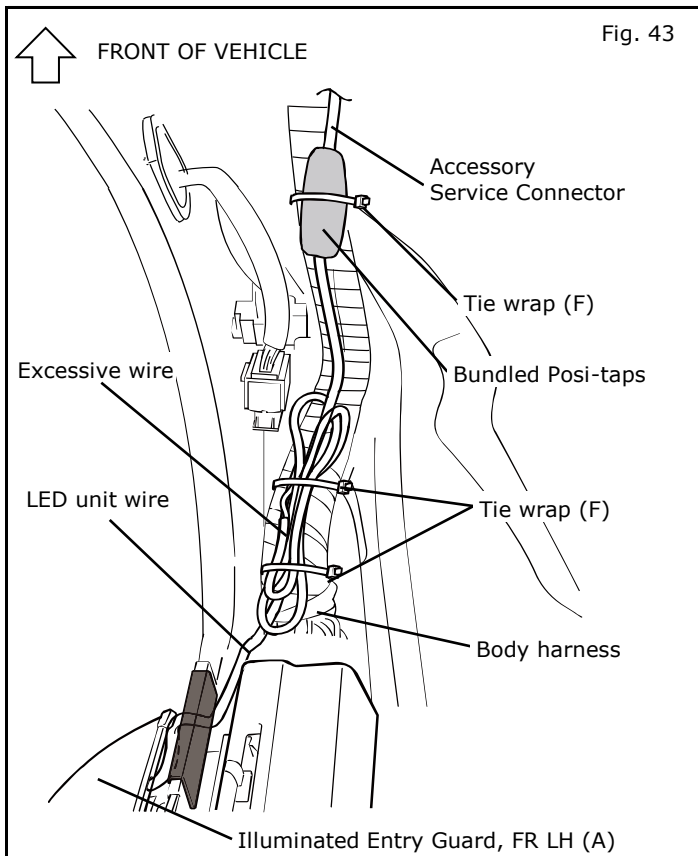
**NOTE: The procedure below shows the installation for LH side. Repeat procedure for RH side.**



- 45) Function check
- a) Connect battery.
  - b) Check function. Confirm LH/RH "INFINITI" text is illuminated when LH/RH door is in open position as shown in Fig. 42.
  - c) If NG, check LED unit wire routing, connections to Accessory Service Connector and LED unit to identify root cause.

**INSTALLATION PROCEDURE: LED UNIT WIRE INSTALLATION**

**NOTE: The procedure below shows the installation for LH side. Repeat procedure for RH side.**



46) Secure the bundled posi-taps to vehicle harness with Tie wrap (F) as shown in Fig.43.

47) Secure LED unit wire and excessive LED unit wire to vehicle harness with Tie wrap (F) as shown in Fig.43.

**CAUTION**

- Do not attach the harness to sharp metal edge.

**ACCESSORY CHECK:** (Must for any accessory that uses the vehicle battery for power)

- Connect the battery negative terminal and tighten the nut to 5.4 N-m (47.8 lb-in)
- Check all Critical Installation Steps.
- Check all torque values. (Reference related steps and figures)
- Verify all wiring is secure and not exposed.
- Trim all excess cable ties flush.
- Check function.**
  - Confirm LH "INFINITI" text is illuminated when front left side door is in the open position.
  - Confirm RH "INFINITI" text is illuminated when front right side door is in the open position.

**RE-INSTALLATION OF REMOVED PARTS:**

- Re-install all removed vehicle parts. Refer to the vehicle service manual as necessary.

 **CAUTION**

**Use caution when re-installing interior components to avoid damage, scratches, or breaking of mounting clips. Refer to the vehicle service manual for more information.**

**FINAL INSPECTION:**

- Verify re-installed trim parts for proper flush fit (no gap, no waviness, etc.).
- Verify re-installed weather stripping for proper flush fit (no waviness, etc.).
- Verify all clips are fully engaged and locked.
- Verify re-installed trim parts are free from cracks, scratches or stress marks.
- Verify vehicle headliner, seat, steering wheel, center console, floor carpets, etc. are not soiled.
- Verify interior and exterior is not damaged.
- Start engine and verify that there are no new Diagnostic Trouble Codes. Turn ignition switch to "**OFF**".
- Re-program radio presets and other vehicle settings to the recorded settings.

** CAUTION**

- **Do NOT step on Entry Guard or wash vehicle for 24 hours after installing to prevent the double-sided tape from peeling.**
- **When turn off the ignition switch, do NOT let the door opening for long time, or else electrical source can be used up.**

**NOTE:**

**Posi-Tap™ is protected by patent # 5,228,875 5,695,369 5,868,589 6,692,313 Jap 2881414 Aus 708700 Tia 103534 Can 2204826 Mex 200626 Korea 477279 China Z197105562.9 & others pending.**

# ILLUMINATED ENTRY GUARD

DRIVER SIDE CONNECTOR

## ACCY\_SER\_CONN

IGN	1
BAT	2
TAIL_LAMP	3
ROOM_LAMP	4
BAT_SAVER	5
FR_DOOR_SW_RH	6
FR_DOOR_SW_LH	7
THRU_SIGNAL_1	8
RR_DOOR_RH	9
RR_DOOR_LH	10
ACC	11
GND	12

White

Red

Purple

Yellow

Pink

Green

LT\_Green

Gray

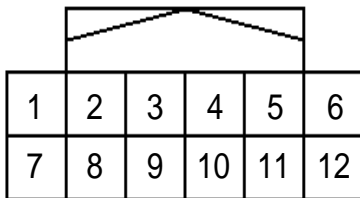
Blue

LT Blue

Orange

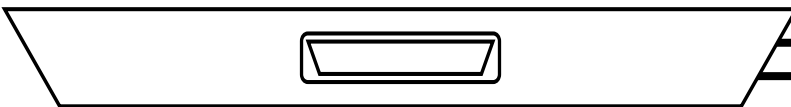
Black

### TH12FW-NH



Note: Pin location is referenced looking into wire side of connector.

## ILLUMINATED ENTRY GUARD LH

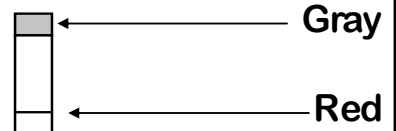


Red

White

### Legend

Posi tap



# ILLUMINATED ENTRY GUARD

## PASSENGER SIDE CONNECTOR

### ACCY\_SER\_CONN

IGN	1
BAT	2
TAIL_LAMP	3
ROOM_LAMP	4
BAT_SAVER	5
FR_DOOR_SW_RH	6
FR_DOOR_SW_LH	7
THRU_SIGNAL_1	8
RR_DOOR_RH	9
RR_DOOR_LH	10
ACC	11
GND	12

White

Red

Purple

Yellow

Pink

Green

LT\_Green

Gray

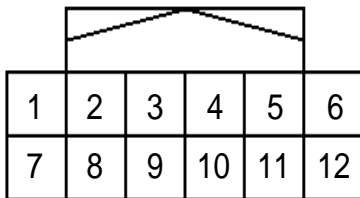
Blue

LT Blue

Orange

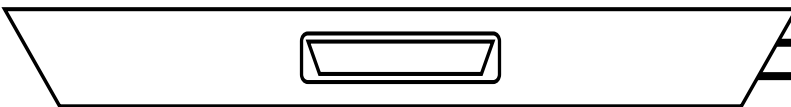
Black

### TH12FW-NH



Note: Pin location is referenced looking into wire side of connector.

### ILLUMINATED ENTRY GUARD RH



Red

White

### Legend

Posi tap

